

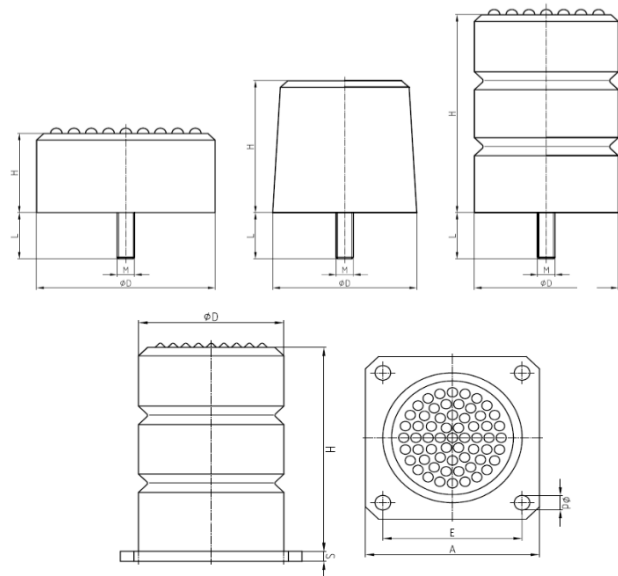
Impact buffers made of Diepocell®



Impact buffers made of cellular polyurethane elastomere **Diepocell®** are from a standard range of products. They are used in general mechanical available engineering and in the construction of cranes. The cranebuffers are supplied with central mounting or square fixing plate.

With our special production method the cellular body is foamed directly onto the fixing plate. Special attention should be paid on our patented **plastic plates**. The additional use of a **safety rope** as a further security device is possible.

Our standard range of buffers is available from stock. Other hardness or other kind of fixing may be produced on request depending on the field of application. For use in areas with high humidity or with tropical climate a **humidity resistant** material is available.



Dimensions		Buffers with central mounting bolt			Buffers with internal thread		Buffers with ground plate of plastic, aluminium respectively steel				
Diameter (D)	Height (H)	item No.	Thread (M)	Length (L)	item No.	Thread (M)	item No.	Thickness (S)	Ground plate outer dia. (A)	Hole distance/ separation (E)	Hole diameter (d)
70	70	233701045	M 12	35	235701045	M 12	-	-	-	-	-
80	40	233801045	M 12	35	235801045	M 12	255801045	10	110	80	14
80	80	233802045	M 12	35	235802045	M 12	255802045	10	110	80	14
80	120	233803045	M 12	35	235803045	M 12	255803045	10	110	80	14
100	50	233101045	M 12	35	235101045	M 12	255101045	10	125	100	14
100	100	233102045	M 12	35	235102045	M 12	255102045	10	125	100	14
100	150	233103045	M 12	35	235103045	M 12	255103045	10	125	100	14
125	63	233121045	M 12	35	235121045	M 12	255121045	12	160	125	18
125	125	233122045	M 12	35	235122045	M 12	255122045	12	160	125	18
125	190	233123045	M 12	35	235123045	M 12	255123045	12	160	125	18
160	80	233161045	M 12	35	235161045	M 12	255161045	12	200	160	18
160	160	233162045	M 12	35	235162045	M 12	255162045	12	200	160	18
160	240	233163045	M 12	35	235163045	M 12	255163045	12	200	160	18
200	100	233201045	M 12	35	235201045	M 12	255201045	14	250	200	22
200	200	233202045	M 12	35	235202045	M 12	255202045	14	250	200	22
200	300	233203045	M 12	35	235203045	M 12	255203045	14	250	200	22
250	125	233251045	M 24	80	235251045	M 24	202251045	15	315	250	22
250	250	233252045	M 24	80	235252045	M 24	202252045	15	315	250	22
250	375	233253045	M 24	80	235253045	M 24	202253045	15	315	250	22
315	158	233311045	M 24	80	235311045	M 24	202311045	15	400	315	22
315	315	233312045	M 24	80	235312045	M 24	202312045	15	400	315	22
315	475	233313045	M 24	80	235313045	M 24	202313045	15	400	315	22
400	200	233401045	M 30	80	235401045	M 30	202401045	20	500	400	26
400	400	233402045	M 30	80	235402045	M 30	202402045	20	500	400	26
400	600	233403045	M 30	80	235403045	M 30	202403045	20	500	400	26
500	250	-	-	-	-	-	202501045	20	630	500	26
500	500	-	-	-	-	-	202502045	20	630	500	26
500	750	-	-	-	-	-	202503045	20	630	500	26
600	300	-	-	-	-	-	202601045	20	730	600	26
600	600	-	-	-	-	-	202602045	20	730	600	26
600	900	-	-	-	-	-	202603045	20	730	600	26

Buffers with ground plate upto size Ø 200 x height 300 mm are optionally available with plastic or aluminium plate. Bigger buffers with ground plate (Ø 250 x height 125 mm) are only available with steel plate.

ADVICE:

Working capacities and impact forces you can find in our brochure, which is available in download-area.

P+S Polyurethan-Elastomere



P+S Polyurethan-Elastomere
GmbH & Co.KG

Kielweg 17
49393 Diepholz

telephone 05441 / 5980-0
telefax 05541/ 5980-88

e-mail: info@pus-polyurethan.de
homepage: www-pus-polyurethan.de