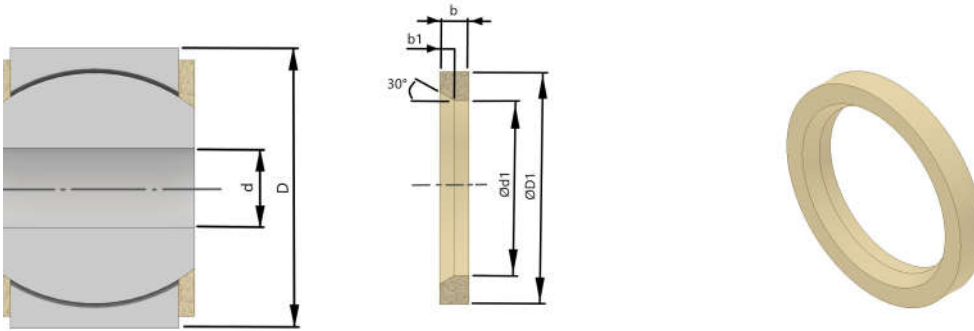




Gaskets made of Vulkocell®

Vulkocell® is a cellular polyurethane elastomer (cellular Vulkollan®) which was developed especially for technical applications; it is particularly suitable for damping and sealing elements – above all for gaskets.

Vulkocell® gaskets in square and rectangular cross section are mainly used for the sealing of bearings of various designs where they serve as dirt and dust barriers and as noise and vibration insulators. When Vulkocell® gaskets are oil impregnated they become completely self-lubricating and therefore provide life long maintenance – free service.



Name width	Dim. of bearing in (mm)		Dimension of the gasket in (mm)				Item-No.
	Ø d	Ø D	Ø D1	Ø d1	b	b1	
4	4	12	10	7	3,0	1,5	280000444
5	5	14	12	8	3,0	1,5	280000544
6	6	14	12	8	3,0	1,5	280000644
8	8	16	14	11	4,0	2,0	280000844
10	10	19	17	14	4,0	2,0	280001044
12	12	22	20	15	4,0	2,0	280001244
15	15	26	24	19	4,0	2,0	280001544
17	17	30	28	21	5,0	2,5	280001744
20	20	35	33	25	5,0	2,5	280002044
25	25	42	40	30	5,0	2,5	280002544
30	30	47	45	35	5,0	2,5	280003044
35	35	55	53	40	6,0	3,0	280003544
40	40	62	60	45	6,5	3,5	280004044
45	45	68	65	51	7,0	3,5	280004544
50	50	75	72	56	7,5	3,5	280005044
60	60	90	87	67	9,0	4,0	280006044
70	70	105	101	78	9,0	4,0	280007044
80	80	120	116	90	10,0	5,0	280008044
90	90	130	126	98	12,0	6,0	280009044
100	100	150	145	110	16,5	8,0	280010044
110	110	160	155	122	16,5	8,0	280011044
120	120	180	173	130	15,0	7,5	280012044
140	140	210	202	156	16,0	8,0	280014044
160	160	230	222	172	18,0	9,0	280016044
180	180	260	250	200	18,0	9,0	280018044
200	200	290	280	215	25,0	12,0	280020044
220	220	320	310	240	25,0	12,0	280022044
240	240	340	328	266	25,0	12,0	280024044
260	260	370	358	290	25,0	12,0	280026044
280	280	400	390	314	25,0	12,0	280028044
300	300	430	418	337	28,0	12,0	280030044